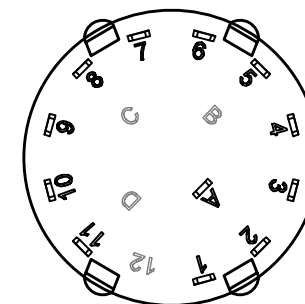
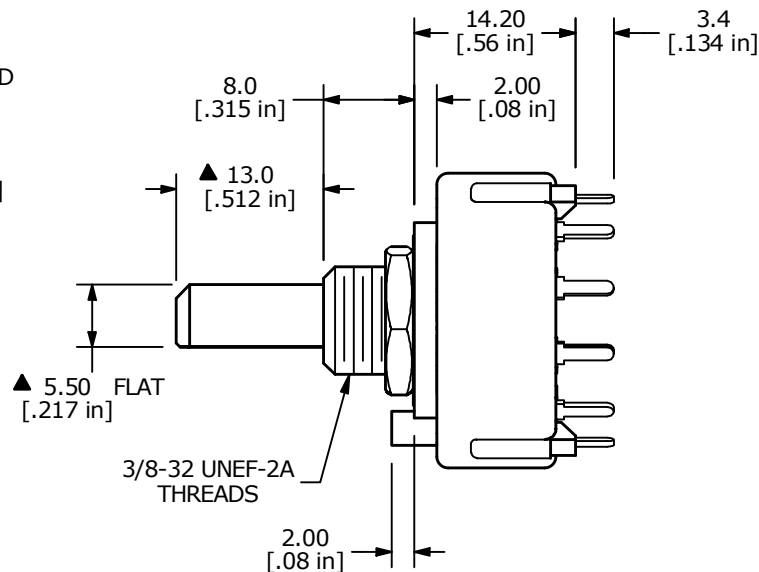
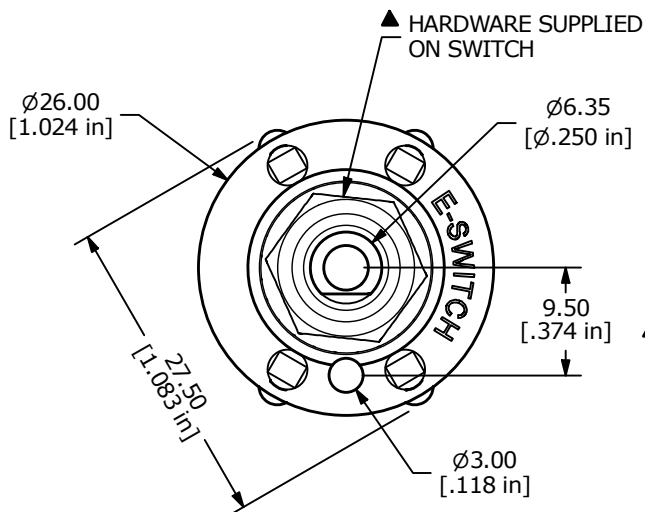
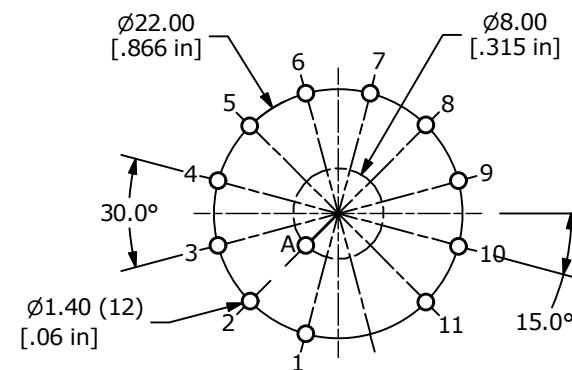


▲ CONTACT CONFIGURATION  
TIMING (MBB) SHORTING



NOTE:

1. ALL DIMENSIONS IN MM[INCH].
2. GENERAL TOLERANCE: X.X = ± 0.4  
X.XX = ± 0.25
3. TERM. NUMBERS FOR REFERENCE ONLY.
- ▲ 4. CONTACT MATERIAL: SILVER
5. RATING: 125V AC 0.3A
6. OPERATING FORCE: .8 ± .3kg-cm
7. OPERATING TEMP: -30°C to 85°C
- ▲ 8. CIRCUIT SP: 11 POSITION 30° INDEX.
9. DIELECTRIC STRENGTH: 500VAC FOR 1 MIN.
- ▲ 10. HARDWARE SUPPLIED ON SWITCH: LOCKWASHER, HEXNUT
11. ▲ DENOTES CRITICAL PARAMETER.



P.C.B MOUNTING LAYOUT



A	24502	RELEASE	9/24/20	MW
REV	PCR NO	DESCRIPTION	DATE	BY

E-SWITCH®				
TITLE KC51A13.001SPS				
SCALE	DATE	DR	DWG	REV
3:2	9/24/2020	MW	G510618	A